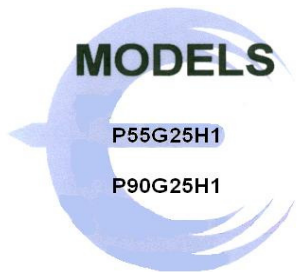
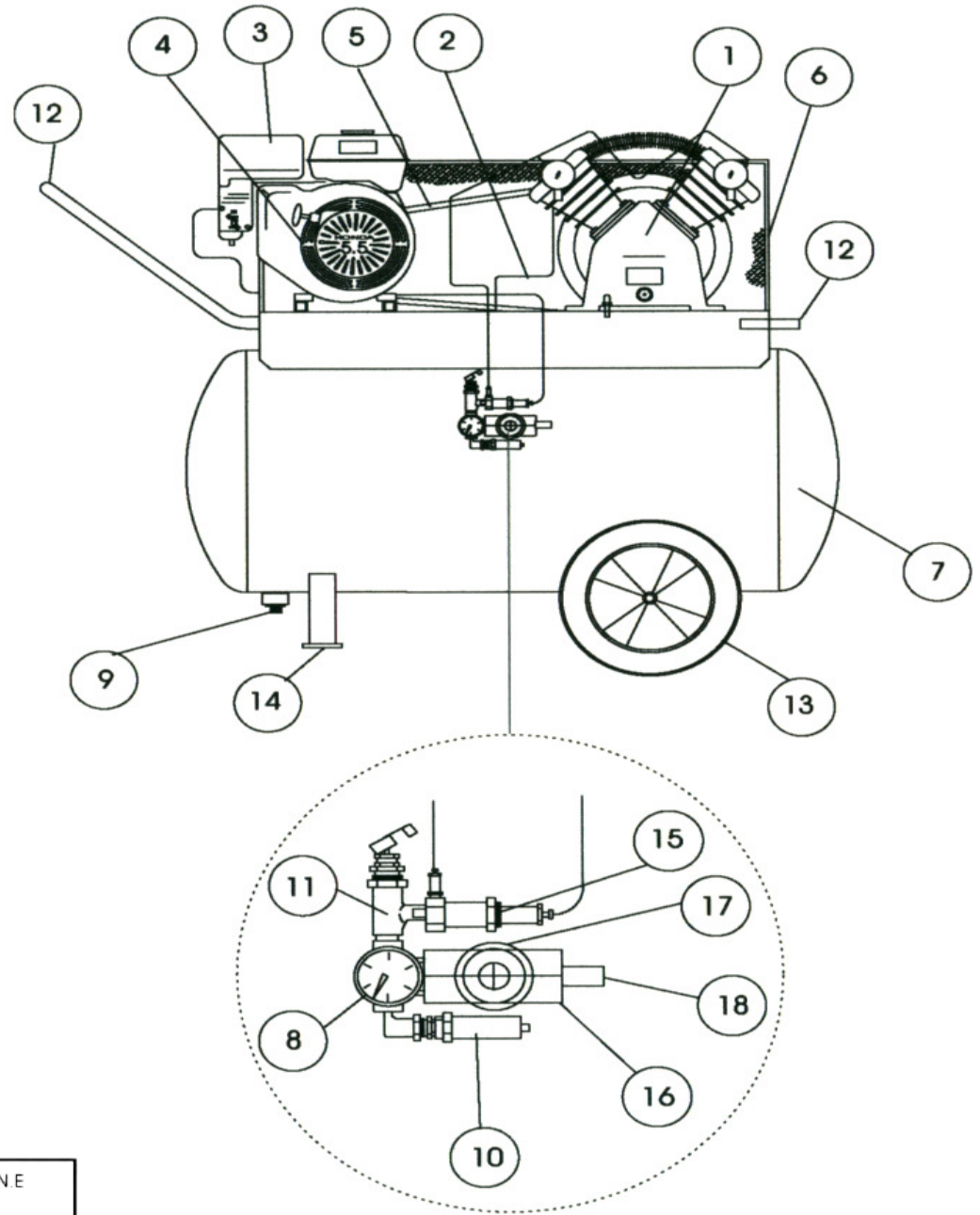


Eagle Air Compressor part breakdown sheet - Portable Gas

March 1, 2006

Item	Description	P55G25H1	P90G25H1
1	Compressor w/ Flywheel	PV02A	PT03A
2	Discharge Tube (2.5ft)	TU-1/2-CU	TU-1/2-CU
	Fittings for Discharge Tube (x2)	Tubelok RPR Kit (each)	Tubelok RPR Kit (each)
3	Engine - Honda	GX160K1QX6	GX270QA6
4	Pulley - Engine	MAL37	MAL37
	Pulley Bushing - Engine	LX3/4	LX1
5	V-Belt	4L540	A54
6	Belt Guard	TT-GUARD	TT-GUARD
7	Air Receiver	25HEPORT-B	25HEPORT-B
8	Pressure Gauge (Tank)	PG200-2.5SI1/4	PG200-2.5SI1/4
9	Drain Cock	DC1/4	DC1/4
10	Safety Valve	PSV1/4-150	PSV1/4-150
11	Pilot Unloader w/ Check Valve	LMV100F	LMV100F
12	Handle (Long)	PT-HANDLE-24HL	PT-HANDLE-24HL
	Handle (Short)	PT-HANDLE-24HS	PT-HANDLE-24HS
13	Wheel (2)	TT-WHEEL	TT-WHEEL
	Shoulder Bolt	E5003 (2)	E5003 (2)
14	Vibration Damper	TT-FOOT	TT-FOOT
15	Engine Control c/w Cable	TCP-48	TCLP-48
16	Regulator	R202-1/4	R202-1/4
17	Pressure Gauge (Regulator)	PT0160	PT0160
18	Coupler	CPL-DUO	CPL-TRI
	Hose Assembly	TT-HOSE	TT-HOSE
	Eagle Compressor Oil	EAOIL10	EAOIL10



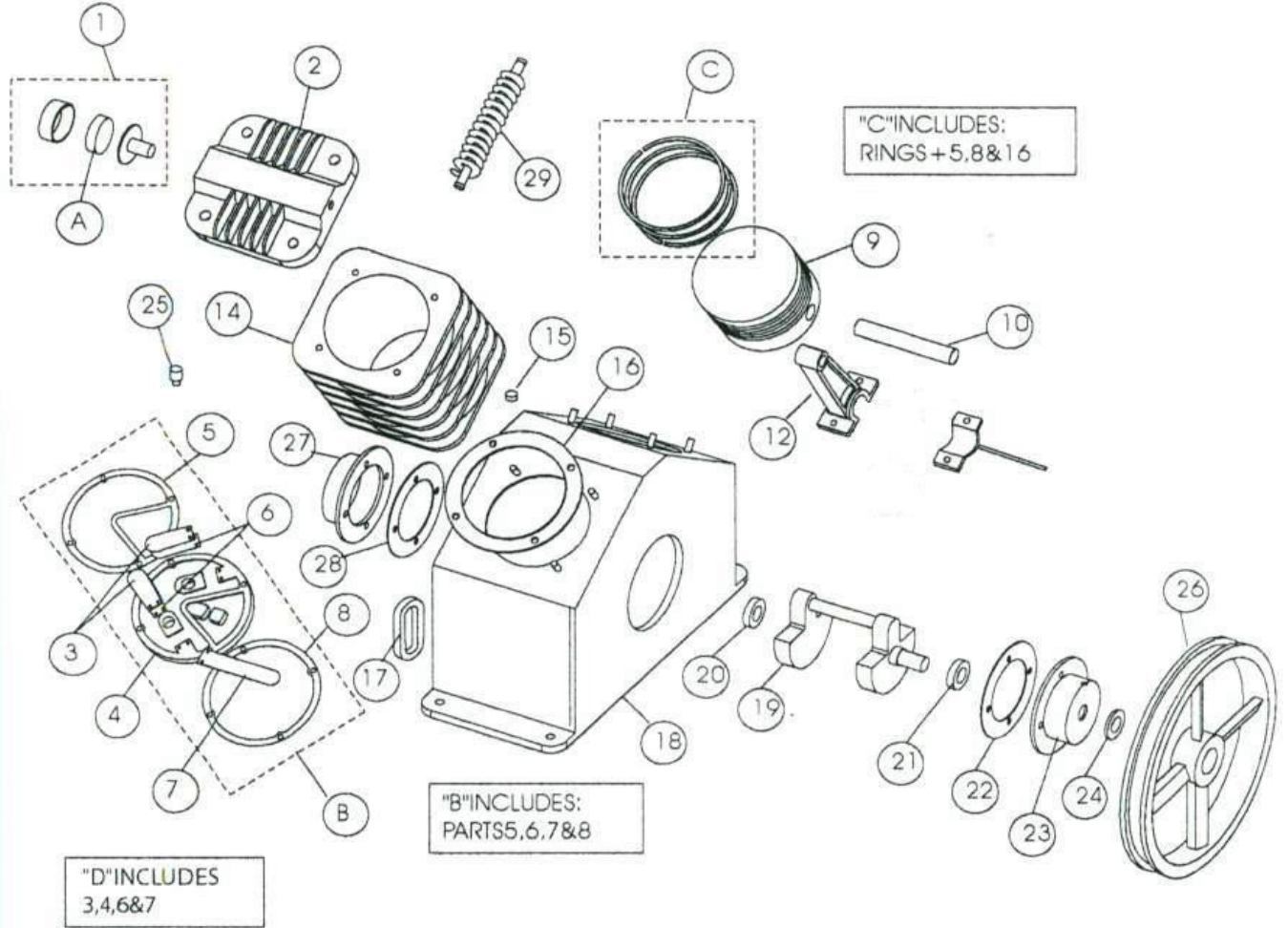
Supplied by:

Lynco
 #8, 3600 - 21 Street N.E
 Calgary, Alberta
 403-250-3600
 sales@lynco.com
 www.lynco.com

Eagle Air Compressor part breakdown sheet - PV02A

March 1, 2006

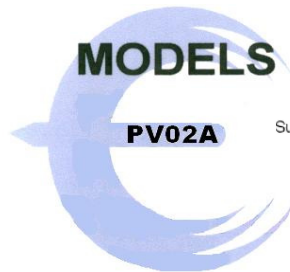
Item	Description	Qty Req.	Part #
1	intake filter ass'y	2	51111-5600
2	cylinder head	2	52122-0101
3	lift limiter - discharge valve plate	4	51121-3102
4	valve seat	2	52122-2101
5	valve seat to head gasket	2	52122-2105
6	discharge valve plate	4	51121-2103
7	intake valve plate	2	52122-2103
8	valve seat to cylinder gasket	2	52122-2104
9	piston	2	51122-5101
10	piston pin c/w snap rings	2	51122-5112
11	piston pin bushing	N/A	N/A
12	connecting rod c/w dipper	2	51122-5120
13	connecting rod bearing (pair)	N/A	N/A
14	cylinder	2	52122-4101
15	oil filler cap	1	51111-4719
16	cylinder to crankcase gasket	2	51122-4103
17	oil sight glass c/w gasket	1	51111-4770
18	crankcase	1	51122-4701
19	crankshaft	1	51122-4601
20	front bearing	1	83501-6205
21	rear bearing	1	83501-6205
22	crankcase to rear bearing housing gasket	1	51122-4704
23	rear bearing housing	1	51122-4703
24	oil seal	1	51122-4708
25	crankcase breather	1	51111-4761
26	flywheel c/w fasteners	1	51122-6601
27	front bearing housing	1	51122-4706
28	crankcase to front bearing housing gasket	1	51122-4707
29	connecting (interstage) tubing	1	51122-7710
Misc	1/4" street elbow (oil drain)	1	STREL1/4
	rear bearing snap ring	1	83610-113025
	interstage "Y" fitting	1	51121-7710
	interstage "elbow" fitting	1	51112-7701
	Eagle oil (590ml or 20oz)	1	EAOIL10



A	intake filter element kit includes: - three(3) intake filter elements	1	101000-300
B	valve repair kit includes: -valve seat to head gasket (item 5) -two(2) outlet valve plates (item 6) -intake valve plate (item 7) -six(6) valve plate screws -valve seat to cylinder gasket (item 8)	2	101000-165
C	ring repair kit includes: -valve seat to head gasket (item 5) -valve seat to cylinder gasket (item 8) -two(2) compression rings -one(1) oil control ring -cylinder to crankcase gasket (item 16)	2	101000-265
D	Valve Plate Assembly (Not shown)	2	52122-2100

Description	Part No.	Qty
Unloader	52122-0120	2
Unloading Elbow	69926-050101	1
Unloading Tee	69927-050101	1
Unloading Tube	TU-1/4-CU	3ft
Cylinder Head	51121-0101U	2

For PV02AU only



Supplied by:

Lynco
 #8, 3600 - 21 Street N E
 Calgary, Alberta
 403-250-3600
 sales@lyncoopro.com
 www.lyncoopro.com